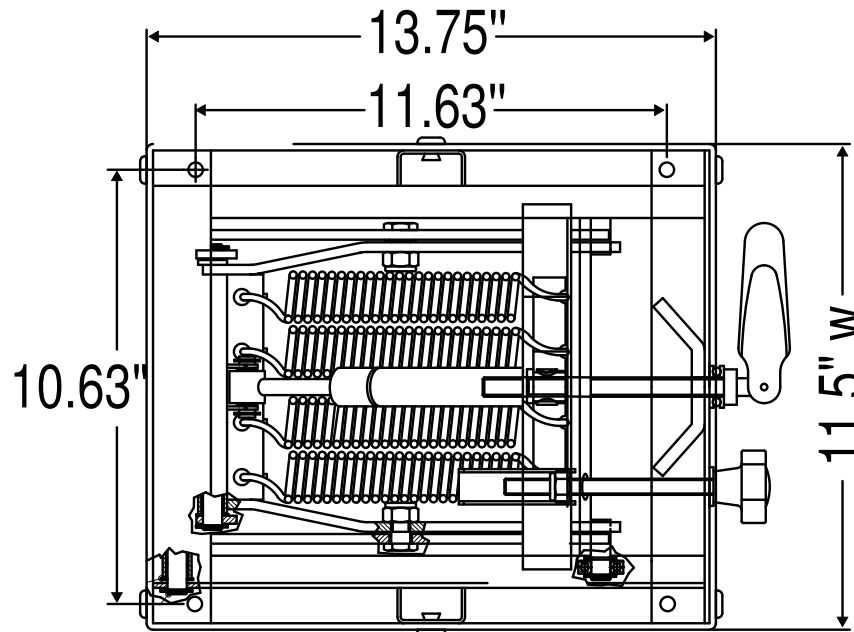


SIDE VIEW



TOP VIEW

PROPRIETARY AND CONFIDENTIAL

THE INFORMATION CONTAINED IN THIS DRAWING IS THE SOLE PROPERTY OF CONCENTRIC INTERNATIONAL. ANY REPRODUCTION IN PART OR AS A WHOLE WITHOUT THE WRITTEN PERMISSION OF CONCENTRIC INTERNATIONAL IS PROHIBITED.



512 Tuttle Street - Des Moines, Iowa

				Units	Millimeters	Part Name
				Tolerances		Heavy Duty Suspension w/Height and Weight Adjstment
				Materials		
Revision	Date	Drawn By	Description	Finish		Part No. 95005BK
A	04/24/2012	JDB	Product Dimensions	Scale	None	
B				Revision		
C				Comments:		
D						

5

4

3

2

1