

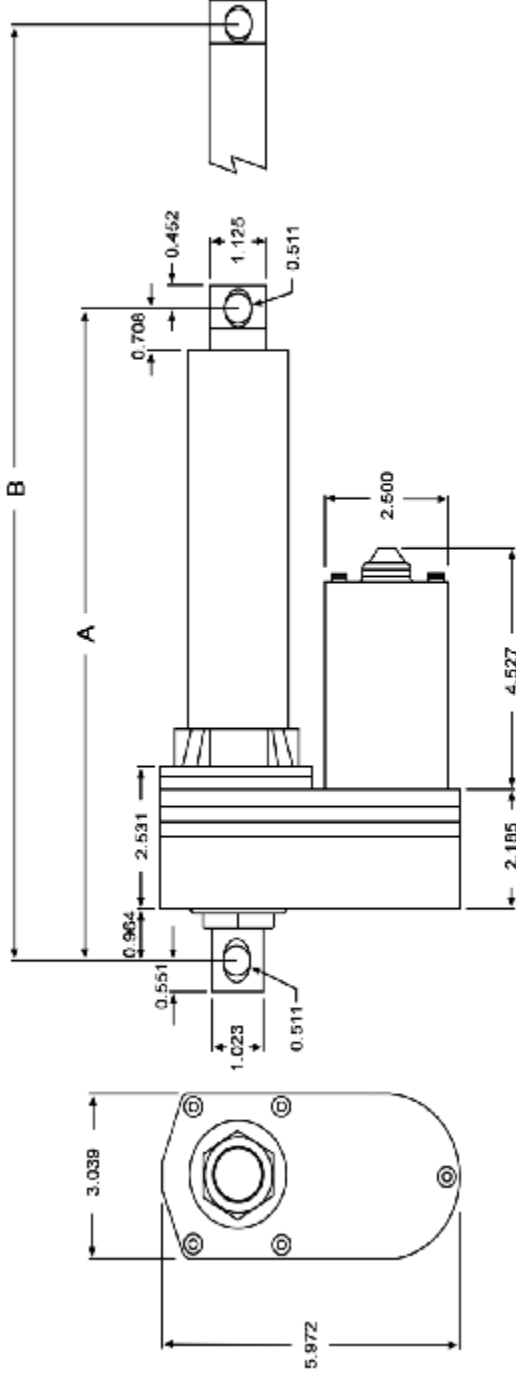
Linear Actuator User Information

Models:

**ID ACME Drive Series
ID Ballscrew Drive Series**



Dimensional Information



ACME Drive

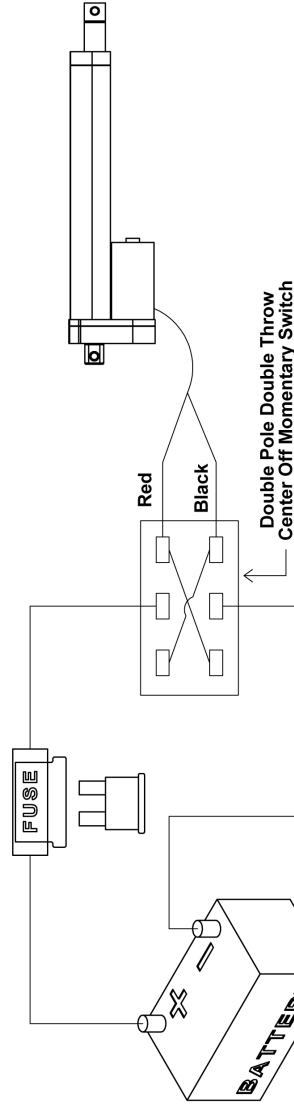
Part#	LACT4-500A	LACT6-500A	LACT8-500A	LACT12-500A
Nominal Stroke	4.00	6.00	8.00	12.00
Actual Stroke	4.01	6.02	8.03	12.04
A	10.24	12.24	14.25	18.26
B	14.25	18.26	22.28	30.03

Ballscrew Drive

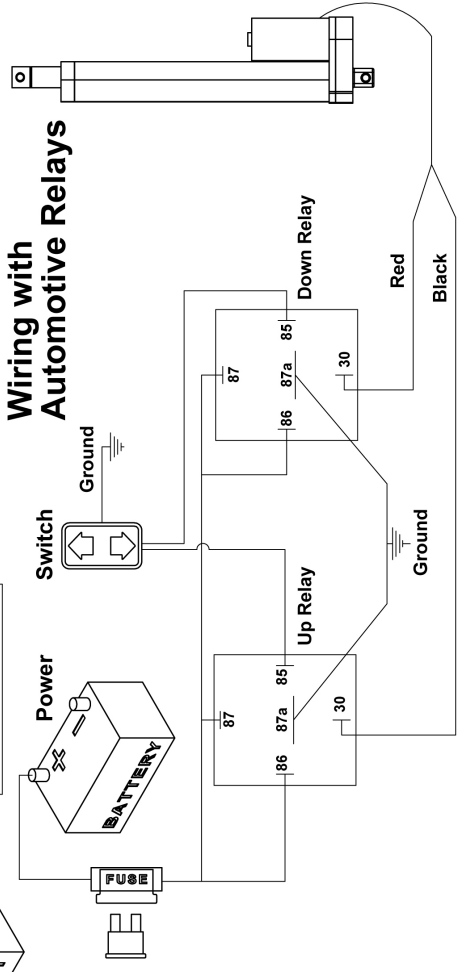
Part#	LACT4-1000B	LACT6-1000B	LACT8-1000B	LACT12-1000B
Nominal Stroke	4.00	6.00	8.00	12.00
Actual Stroke	3.31	5.31	7.32	11.34
A	12.03	14.17	16.03	20.04
B	15.32	19.34	23.34	31.36

Wiring Information

Wiring with a DPDT-CO Momentary Switch



Wiring with Automotive Relays





concentric™
INTERNATIONAL

**512 Tuttle Street
Des Moines, Iowa 50309
515-283-3900**