

Product Data Sheet



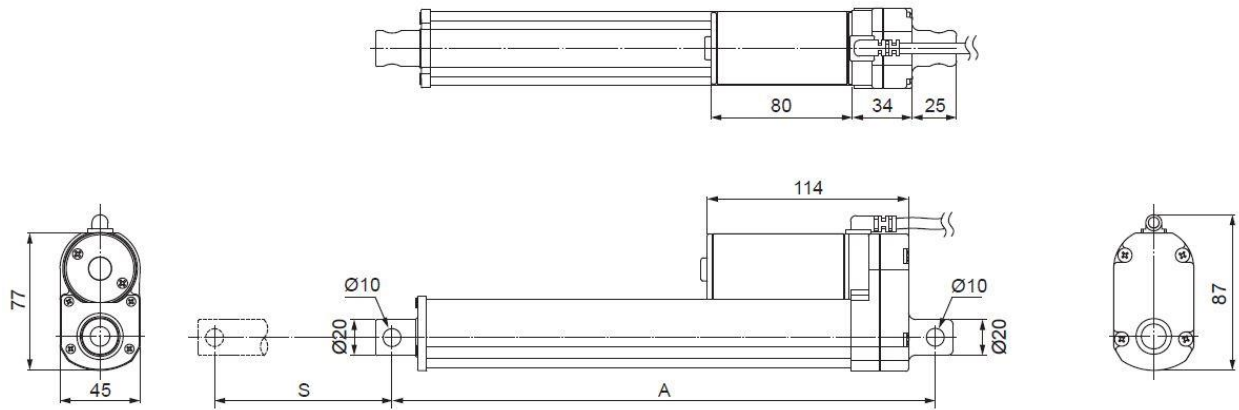
Standard Features:

- Compact design
- All aluminum frame and extension tube
- Nominal stroke lengths: 4" [100mm], 6" [150mm], 8" [200mm], 10" [250mm], 12" [300mm]
- Input voltage: 12VDC, 24VDC
- Standard gear ratio: 20:1 [other ratios available]
- Rated load range: 112 lbs. [500 Newtons] –to- 562 lbs. [2,500 Newtons]
- Maximum static load: 337 lbs. [1,500 Newtons] (10:1 gear ratio)
1,012 lbs. [4,500 Newtons] (20, 30, 40, 50:1 gear ratios)
- Maximum current draw: 4.6 Amps @ 12 VDC
- Speed at no load: 0.24 in/sec [6.1 mm/sec] –to- 1.06 in/sec [27 mm/sec]
- Speed at full load: 0.17 in/sec [4.4 mm/sec] –to- 0.74 in/sec [18.7 mm/sec]
- Standard preset limit switches at both ends of stroke
- Noise level: ≤ 70 dB
- Mounting hole diameter (both ends): 3/8" [10mm]
- Duty cycle: 25% or 1 min continuous operation in 4 min.
- Working temperature: -13F [-25C] to +149F [+65C]
- IP rating: IP65

Accessories:

- Mounting brackets
- Wired and wireless controllers
- Direction reversing relays
- Direction reversing switches

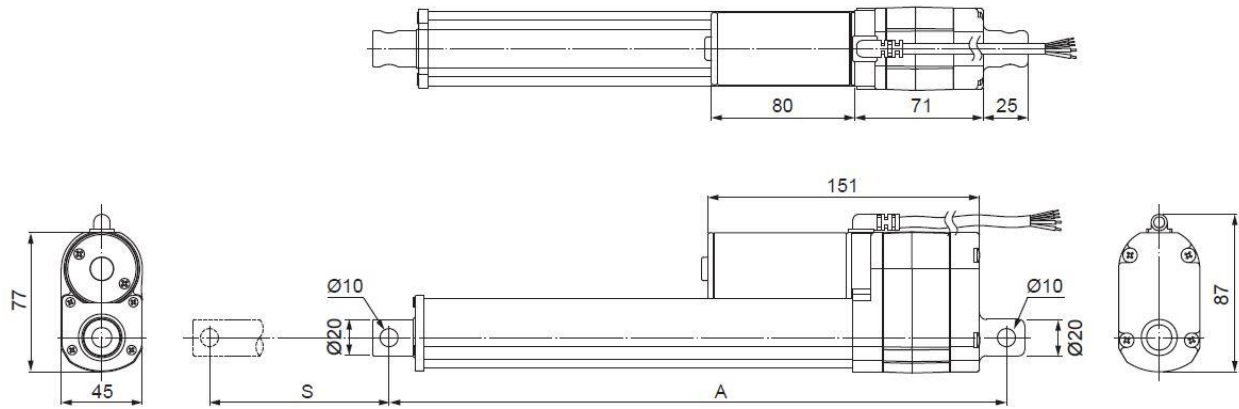
Dimensions – Actuator Without Potentiometer



Unit: mm

Nominal Stroke	4"		6"		8"		10"		12"	
	in	mm	in	mm	in	mm	in	mm	in	mm
Actual Stroke (S)	3.94	100	5.91	150	7.87	200	9.84	250	11.81	300
Retracted Length (A)	8.07	205	10.04	255	12.01	305	13.98	355	15.94	405
Extended Length	12.01	305	15.94	405	19.88	505	23.82	605	27.76	705

Dimensions – Actuator With Potentiometer



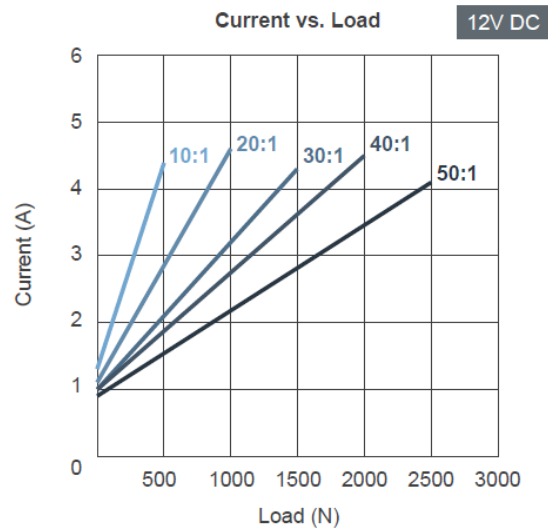
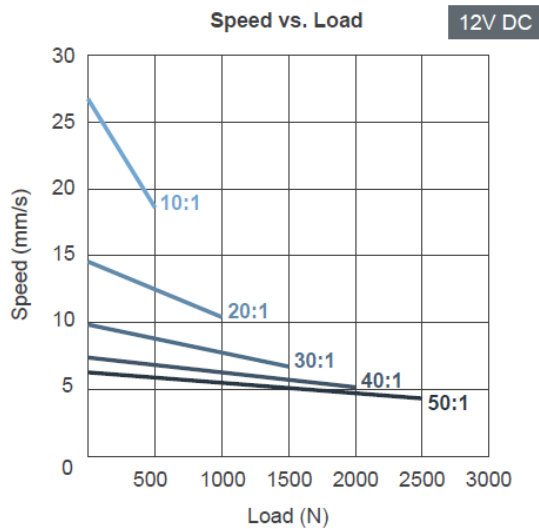
Unit: mm

Nominal Stroke	4"		6"		8"		10"		12"	
	in	mm	in	mm	in	mm	in	mm	in	mm
Actual Stroke (S)	3.94	100	5.91	150	7.87	200	9.84	250	11.81	300
Retracted Length (A)	9.53	242	11.50	292	13.46	342	15.43	392	17.40	442
Extended Length	13.47	342	17.41	442	21.33	542	25.27	642	29.21	742

Performance Data

12V

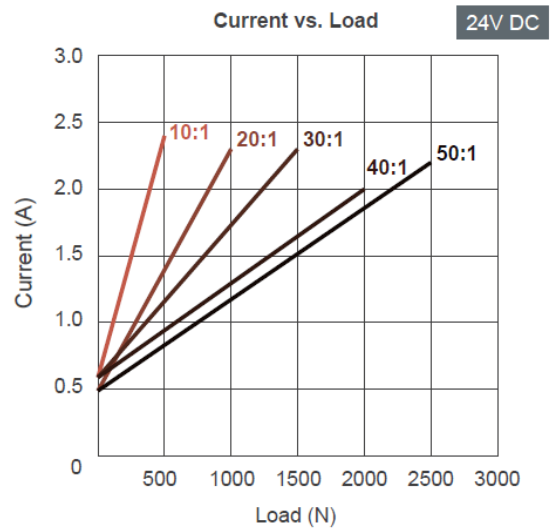
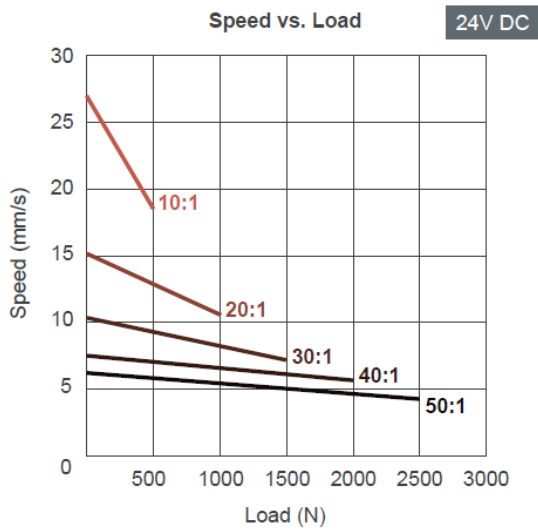
Gear Ratio	Max Load/Dynamic		Speed/No Load/12V		Speed/Max Load/12V	
	Lbs. [US]	Newtons	inches/Sec	mm/Sec	inches/Sec	mm/Sec
10:1	112	500	1.06	26.8	0.73	18.6
20:1	225	1000	0.58	14.7	0.41	10.4
30:1	337	1500	0.39	9.9	0.27	6.8
40:1	450	2000	0.29	7.4	0.20	5.1
50:1	562	2500	0.24	6.2	0.17	4.4



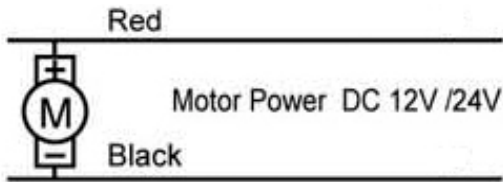
Performance Data

24V

Gear Ratio	Max Load/Dynamic		Speed/No Load/24V		Speed/Max Load/24V	
	Lbs. [US]	Newtons	inches/Sec	mm/Sec	inches/Sec	mm/Sec
10:1	112	500	1.06	27.0	0.74	18.7
20:1	225	1000	0.59	15.1	0.42	10.7
30:1	337	1500	0.41	10.3	0.28	7.2
40:1	450	2000	0.30	7.6	0.22	5.7
50:1	562	2500	0.24	6.1	0.17	4.4

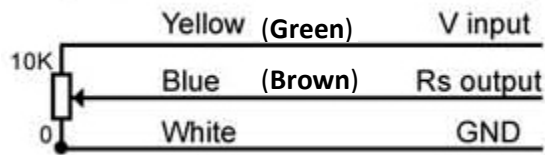


Electrical



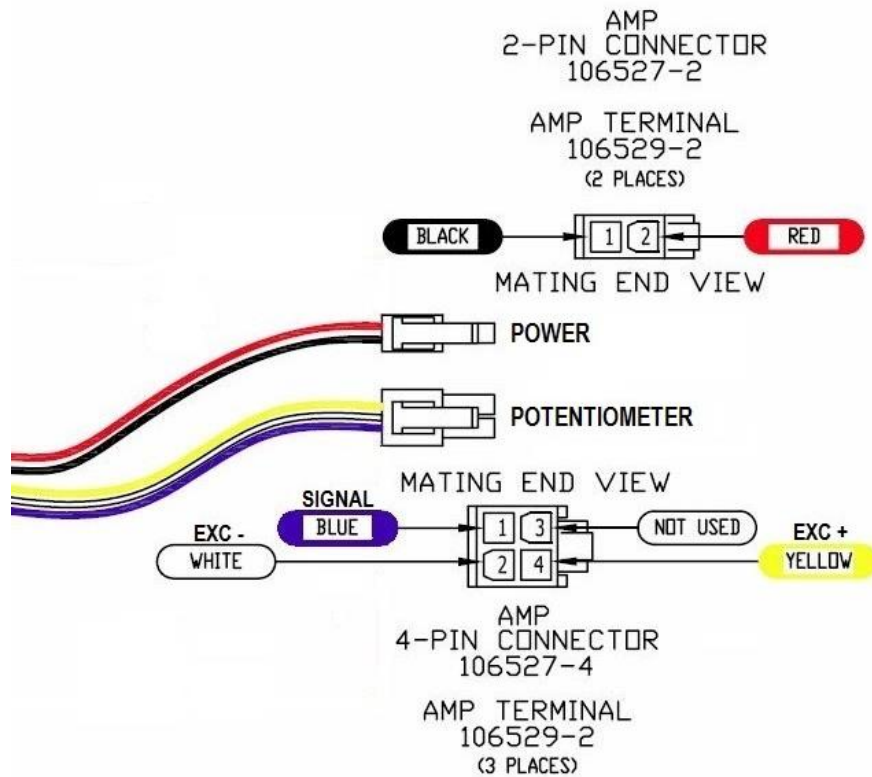
Without Potentiometer
 Red + // Black - : Extend
 Red - // Black + : Retract

With Potentiometer
 Red + // Black - : Retract
 Red - // Black + : Extend

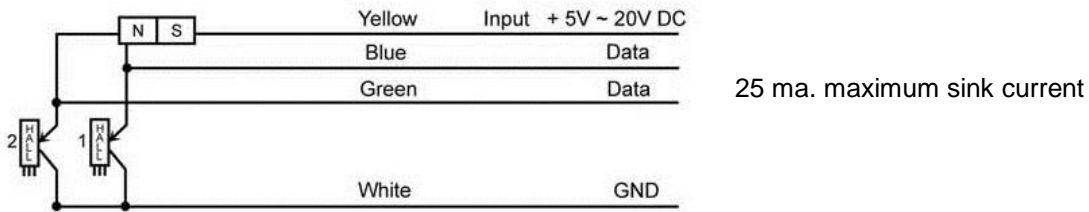
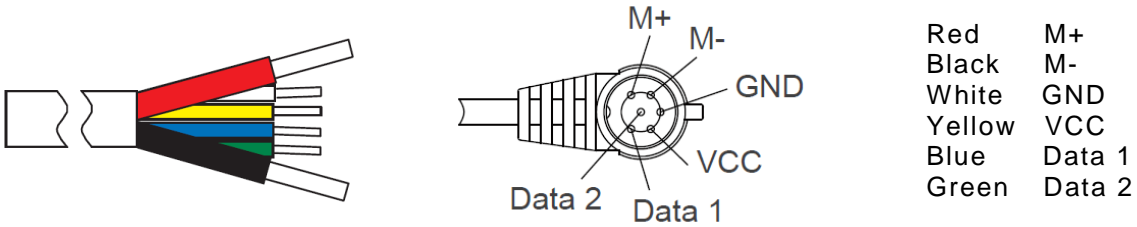


Value of POT	
Stroke (in / mm)	Resistance
3.94 / 100	0.3 – 8.8K
5.91 / 150	0.3 – 9.6K
7.87 / 200	0.3 – 8.9K
9.84 / 250	0.3 – 9.5K
11.81 / 300	0.3 – 9.5K
Tolerance: +/- 0.3K	
Values in this table are an approximation. Actual values will vary due to actuator configuration and construction.	

Connector Wiring

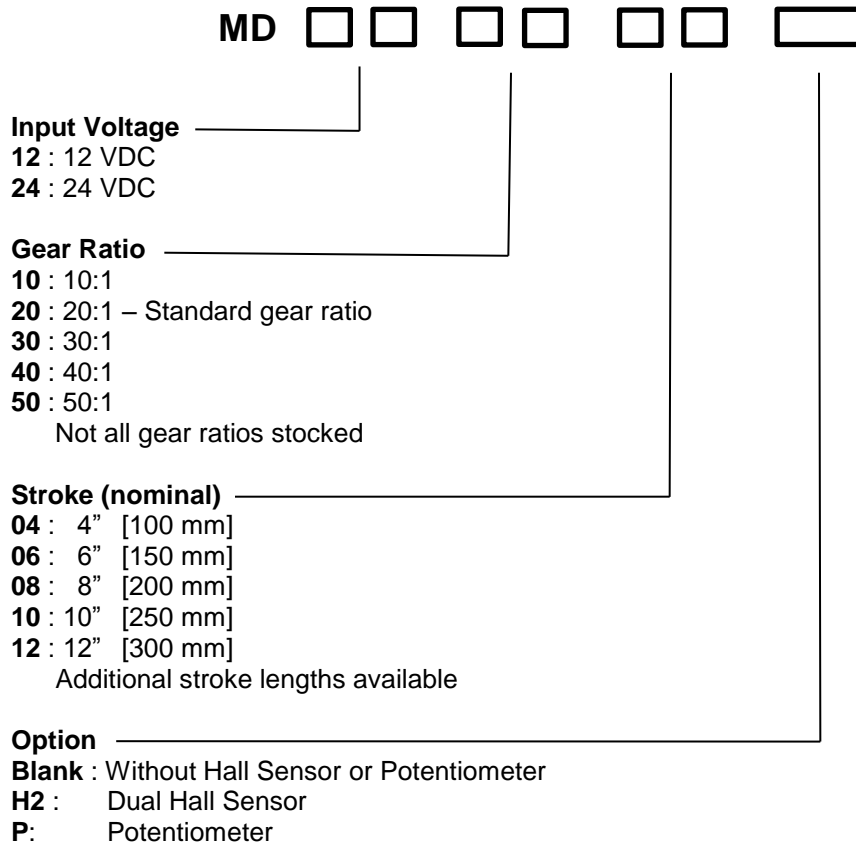


Hall Effect Sensor



Gear Ratio	Signal Resolution	
	Pulses/in	Pluses/mm
10	65.02	2.56
20	120.65	4.75
30	181.86	7.16
40	245.36	9.66
50	300.23	11.82

Ordering Key



Terms of Use

The user is responsible for determining the suitability of Concentric International products for specific applications. Due to continuous development in order to improve its products, Concentric International products are subject to change without prior notice. Concentric International reserves the right to discontinue the sale of any products at any time.